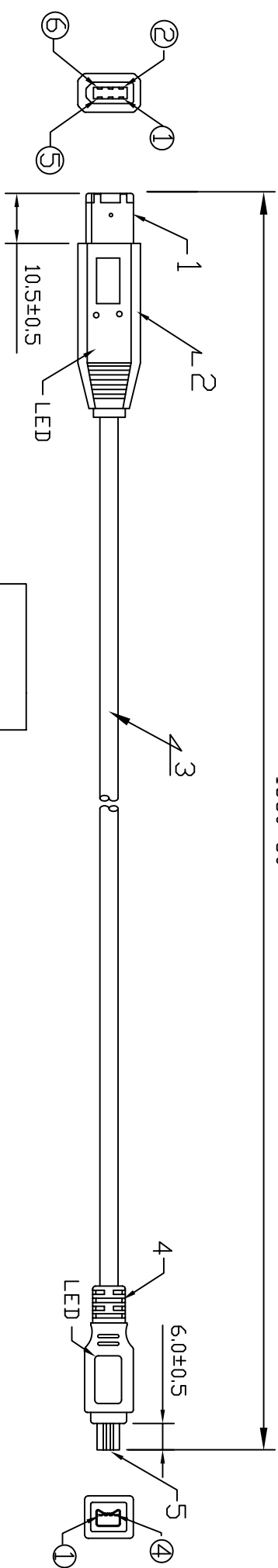


1830±50

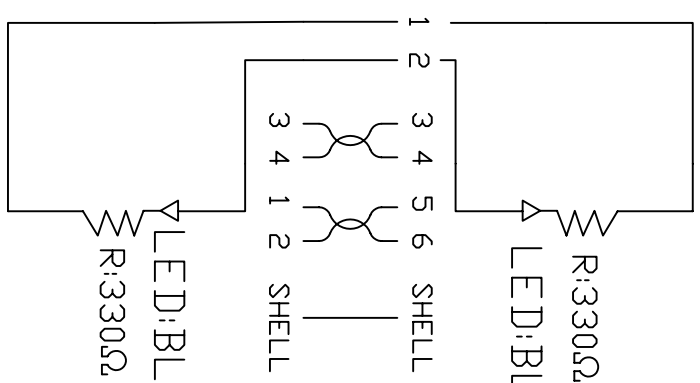


1394 6P MALE

1394 4P MALE

PIN ASSIGNMENT

1394 6P MALE
1394 4P MALE



LED:BLUE/RED/GREEN/WHITE

LED:BLUE/RED/GREEN/WHITE

ELECTRONIC TEST:
1.OPEN/SHORT/INTERMITTE:100%.
2.INSULATION RESISTANCE:20MΩ.
3.CONTACT RESISTANCE:3Ω
4.HI-PDT:300V DTAGE.

5	1394 4P MALE SOLDER MOLDED TYPE	PCS	1
4	PVC MOLDED TRANSPARENT IN COLOR		
3	UL20276 (1P*30AWG+AL+S+P)*2PCS+2C*22AWG+M/AL+B DD6.0 TRANSPARENT		
2	PVC MOLDED TRANSPARENT IN COLOR		
1	1394 6P MALE SOLDER MOLDED TYPE	PCS	1
NO.	DESCRIPTION	UNIT	QTY
A	1394 6P MALE/1394 6P MALE MOLDED L:1.83M CABLE		
REV.	DESCRIPTION	DATE	

UNLESS OTHERWISE SPECIFIED TOLERANCE	ANG:	°	F3
	0	±0.5	
	.0	±0.3	
	.00	±0.2	
SCALE:	NONE	UNIT:	MM
DRAWN	My.Chen	DATE	03/24/05
CHECKED			
APPROVED			
SIZE	A4	REV.	A
FILE NAME:	1394-4M6M-183-XX*2	PRODUCT NO.	1394-4M6M-183-XX*2
<p>DUN CHENG TECH. CORP. TEL:886-2-26739970 FAX:886-2-26739980 DRAWN NAME: 13944M6M-183-XX*2</p> 