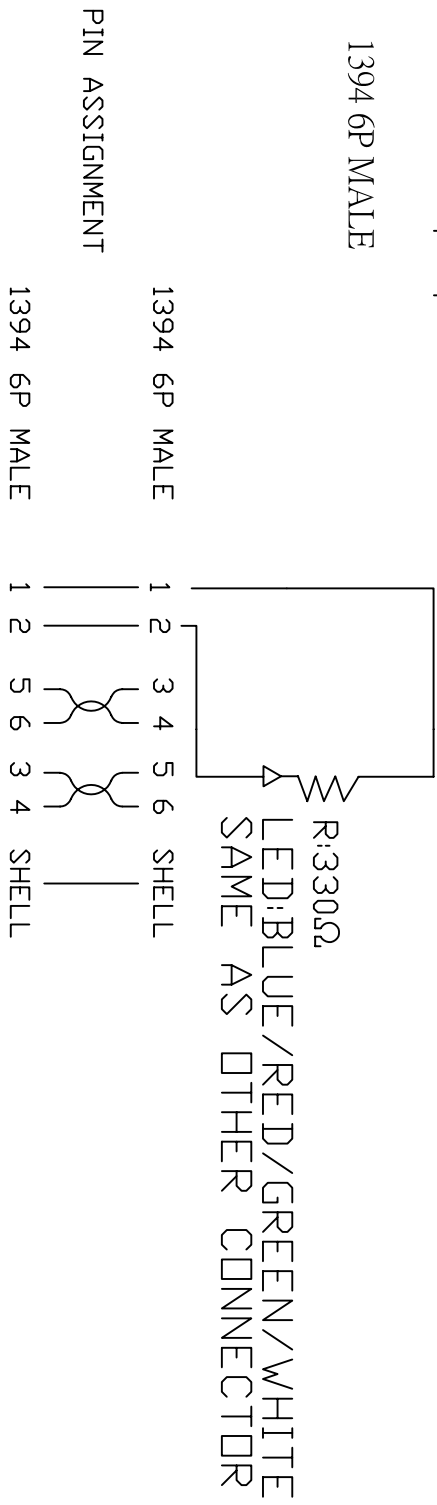
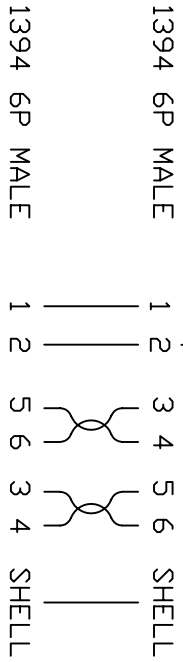


1394 6P MALE

1394 6P MALE



PIN ASSIGNMENT

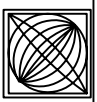


6	LED COLOURED: GREEN WHITE ETC.	PCS	2
5	1394 6P MALE SOLDER SHELL PLATED: NICKEL CONTACT: G/F	PCS	1
4	5SP PVC MOLDED TRANSPARENT IN COLOR		
3	UL20276 (1P*30AWG+AL+S+P)*2PCS+2C*22AWG+M/AL+B DD6.0 TRANSPARENT		
2	5SP PVC MOLDED TRANSPARENT IN COLOR		
1	1394 6P MALE SOLDER SHELL PLATED: NICKEL CONTACT: G/F	PCS	1
NO.	DESCRIPTION	UNIT	QTY
A	1394 6P MALE/1394 6P MALE MOLDED L:1.83M CABLE		
REV.	DESCRIPTION	DATE	

ELECTRONIC TEST:  
 1.OPEN/SHORT/INTERMITTE:100%.  
 2.INSULATION RESISTANCE:20MΩ.  
 3.CONTACT RESISTANCE:3Ω.  
 4.HI-POT:300V DTAGE.

UNLESS OTHERWISE SPECIFIED TOLERANCE  
 ANG: ES  
 0, ±0.5  
 .0 ±0.3  
 .00 ±0.2

SCALE: NONE UNIT: mm  
 DRAWN My.Chen 03/24/05  
 CHECKED / /  
 APPROVED / /



DUN CHENG TECH. CORP.  
 TEL:886-2-26739970 FAX:886-2-26739980

PRODUCT NO. 1394-6M6M-183-XX\*2  
 DRAWN NAME: 1394-6M6M-183-XX\*2

FILE NAME: 1394-6M6M-183-XX\*2