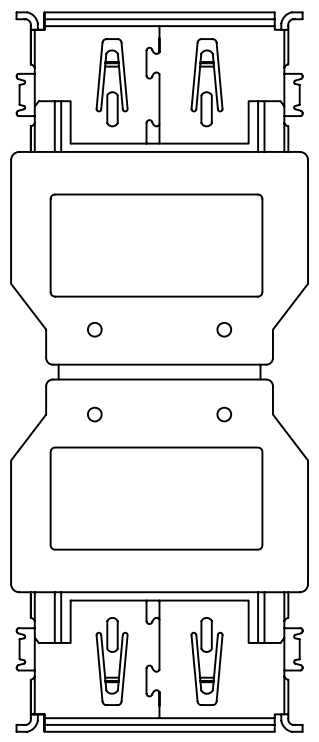
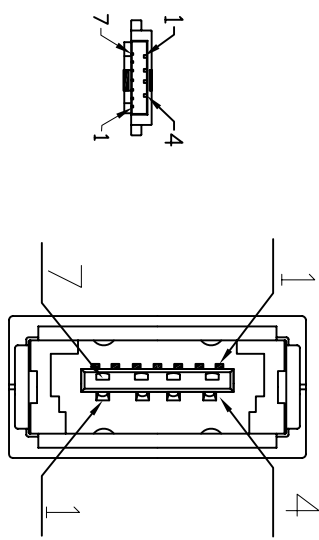
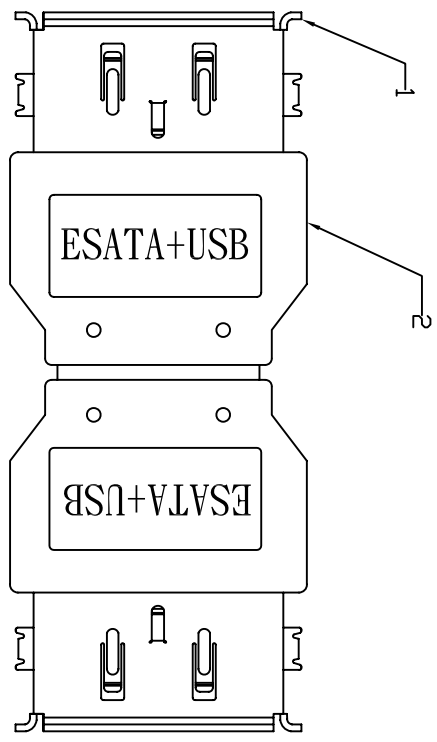
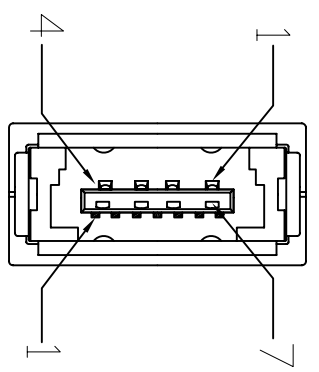


P1



P2



PIN ASSEMBLY

P2	P1	P2	P1
1	1	1	1
2	2	2	2
3	3	3	3
4	4	4	4
		5	5
		6	6
		7	7

ELECTRONIC TEST:
 1.OPEN/SHORT/INTERMITTE:100%.
 2.INSULATION RESISTANCE:DC 300V AT 10ms R:5MΩ
 3.CONTACT RESISTANCE:10Ω.

2	PVC MOLD COLOR: BLACK	PCS	1
1	ESATA+USB CONN SHELL PLATED NICKEL	PCS	2
NO.	DESCRIPTION	UNCT	Q'TY

REV.	DESCRIPTION	DATE	SIZE	REV.	FILE NAME:
A		08/07/04	A4	A	

UNLESS OTHERWISE SPECIFIED TOLERANCE

ANG. ±0.5
 0 ±0.3
 .00 ±0.2

SCALE: 1:1 UNIT: mm

DRAWN eric xu DATE: 08/07/04

CHECKED

APPROVED

DUN CHENG TECH. CORP.
 TEL:886-2-26738970 FAX:886-2-26738980
 DRAWN NAME: ADP-ESATA+USB-PP