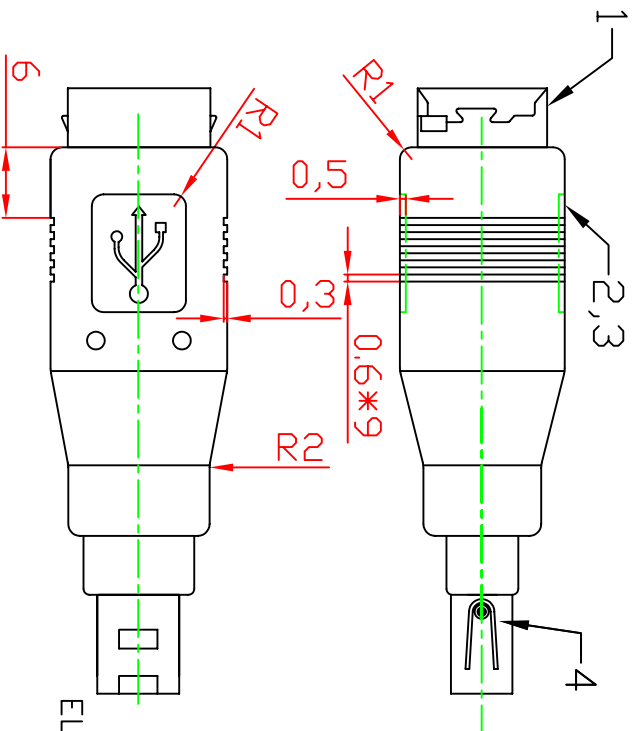


PIN ASSEMBLY

USB-B FEMALE MINI USB 8P MALE

- 1 _____ 7
 - 2 _____ 3
 - 3 _____ 4
 - 4 _____ 8
- SHELL _____ SHELL



ELECTRONIC TEST:

- 1.OPEN/SHORT/INTERMITTE:100%.
- 2.INSULATION RESISTANCE:10MΩ
- 3.CONTACT RESISTANCE:3Ω
- 4.HI-POT:250V DTAGE.

4	MINI USB 8P MALE BLACK MINDLTA CONTACT PLATED:G/F	PCS	1
3	INTERNAL WIRES: UL1007 30AWG	PCS	5
2	PVC MOLDED COLOR: BLACK		
1	USB-B TYPE FEMALE WHITE PASTERN CONTACT PLATED: GOLD FLASH	PCS	1
ND.	DESCRIPTION	UNIT	QTY
A	ADP-MUSB-BFMINDLTA	USB B TYPE FEMALE TO MINI USB 8PIN MALE ADAPTER	
REV.	DESCRIPTION	DATE	

UNLESS OTHERWISE SPECIFIED TOLERANCE

ANG:	±0.5
±0.0	±0.3
±0.0	±0.2

SCALE: 1:1 UNIT: mm

DUN CHENG TECH, CORP
 TEL:886-2-26739970 FAX:886-2-26739980

DRAWN My.Chen 12/27/04
 DRAWN NAME:



APPROVED

SIZE A4 REV. A

PRODUCT NO. ADP-MUSB-BFMINDLTA
 FILE NAME: ADP-MUSB-BFMINDLTA