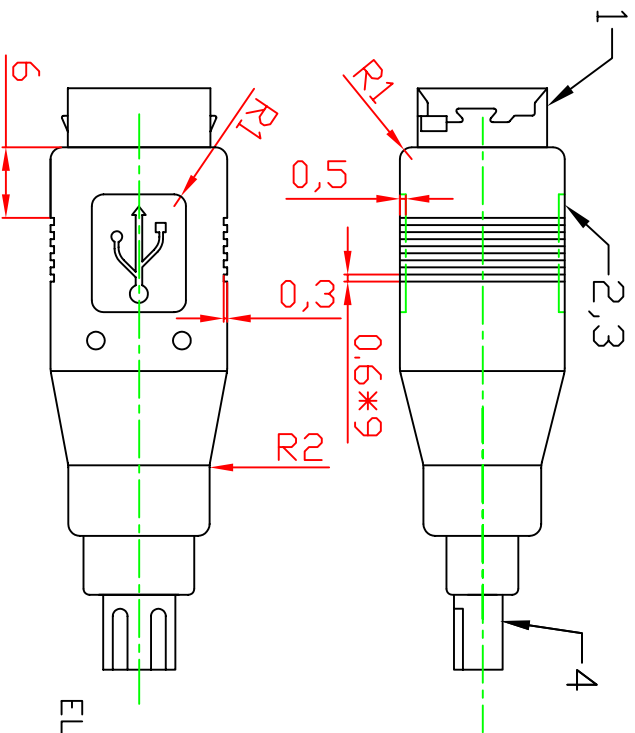


PIN ASSIGNMENT

USB-B FEMALE 8 PIN MALE

1	---	1
2	---	6
3	---	7
4	---	8
G	---	G



ELECTRONIC TEST:

- 1.OPEN/SHORT/INTERMITTE:100%.
- 2.INSULATION RESISTANCE:10MΩ
- 3.CONTACT RESISTANCE:3Ω
- 4.HI-POT:250V DTAGE.

4	MINI USB 8P MALE BLACK NIKON CONTACT PLATED;G/F	PCS	1
3	INTERNAL WIRES: UL1007 30AWG	PCS	5
2	PVC MOLDED COLOR: BLACK		
1	USB-B TYPE FEMALE WHITE PASTERN CONTACT PLATED; GOLD FLASH	PCS	1
NO.	DESCRIPTION	UNIT	QTY
A	ADP-MUSB-BFNIKON	USB B TYPE FEMALE TO MINI USB 8PIN MALE ADAPTER	
REV.	DESCRIPTION	DATE	

UNLESS OTHERWISE SPECIFIED TOLERANCE

ANG:	±0.5
±0.3	
±0.2	
SCALE:	1:1
UNIT:	MM

DUN CHENG TECH, CORP.
TEL:886-2-26739970 FAX:886-2-26739980



APPROVED

CHECKED

DATE: 12/27/04

SIZE: A4

REV: A

FILE NAME: ADP-MUSB-BFNIKON

PRODUCT NO: ADP-MUSB-BFNIKON

ADP-MUSB-BFNIKON