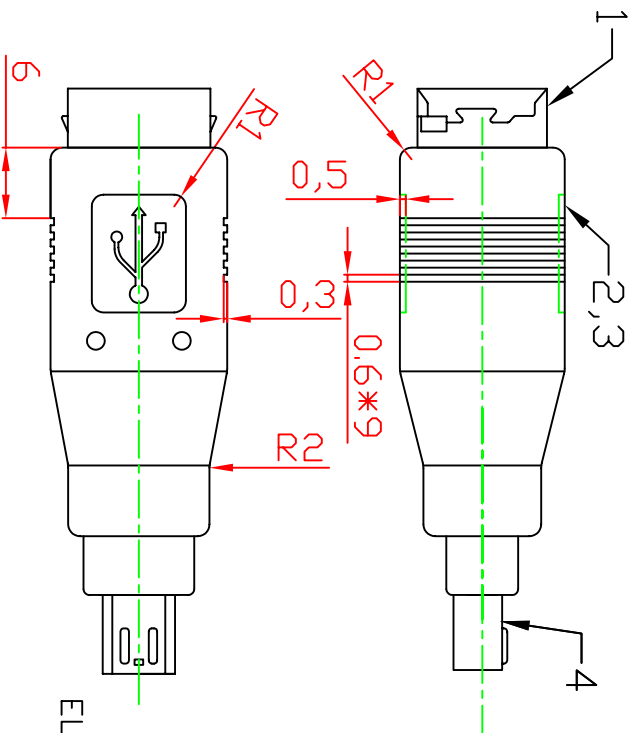


PIN ASSIGNMENT

USB-B FEMALE 8 PIN MALE

1	---	8
2	---	2
3	---	3
4	---	1+4
G	---	G



ELECTRONIC TEST:

- 1.OPEN/SHORT/INTERMITTE:100%.
- 2.INSULATION RESISTANCE:10MΩ
- 3.CONTACT RESISTANCE:3Ω
- 4.HI-POT:250V DTAGE.

4	MINI USB 8P MALE BLACK DLYMPUS CONTACT PLATED:G/F	PCS	1
3	INTERNAL WIRES: UL1007 30AWG	PCS	5
2	PVC MOLDED COLDR: BLACK		
1	USB-B TYPE FEMALE WHITE PASTERN CONTACT PLATED: GOLD FLASH	PCS	1
NO.	DESCRIPTION	UNIT	QTY
A	ADP-MUSB-BF0LYMPUS	USB B TYPE FEMALE TO MINI USB 8PIN MALE ADAPTER	
REV.	DESCRIPTION	DATE	

UNLESS OTHERWISE SPECIFIED TOLERANCE
 ANG: 0, .0
 .00
 .05
 .03
 .02

SCALE: 1:1
 DRAWN My.Chen
 CHECKED
 UNIT: mm
 DATE: 12/27/04



DUN CHENG TECH, CORP
 TEL:886-2-26739970 FAX:886-2-26739980
 DRAWN NAME:

APPROVED
 FILE NAME: ADP-MUSB-BF0LYMPUS
 SIZE: A4
 REV: A