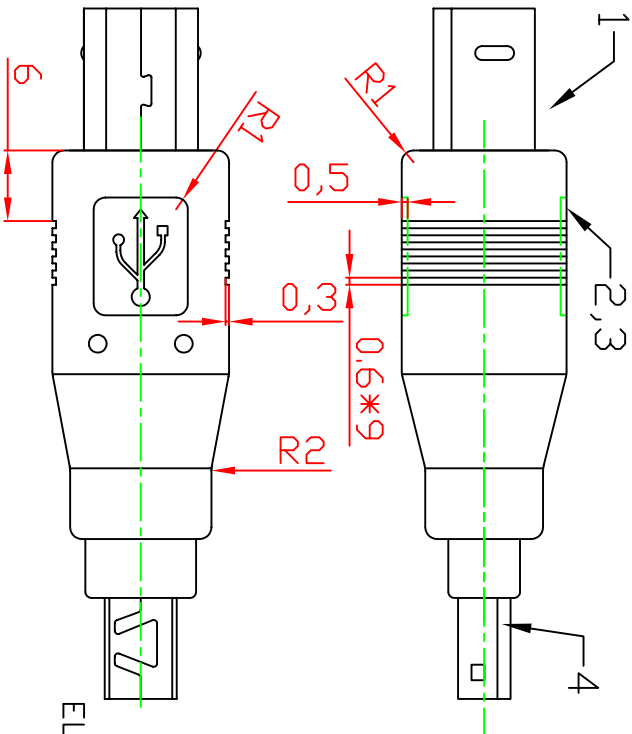
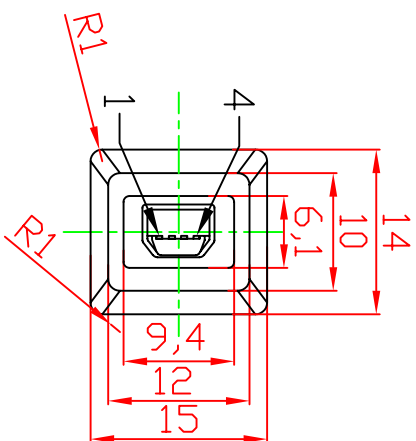
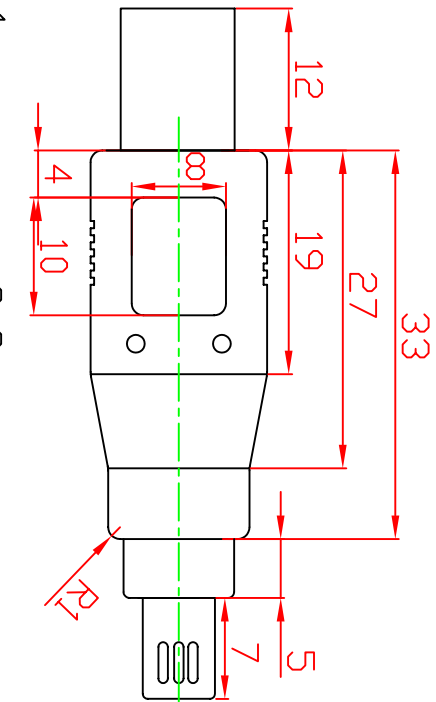


PIN ASSIGNMENT

USB-B MALE

MINI USB 4P MALE

- 1 _____ 1
 - 2 _____ 2
 - 3 _____ 3
 - 4 _____ 4
- SHELL _____ SHELL



ELECTRONIC TEST:

- 1.OPEN/SHORT/INTERMITTE:100%.
- 2.INSULATION RESISTANCE:10MΩ
- 3.CONTACT RESISTANCE:3Ω
- 4.HI-POT:250V DTAGE.

4	MINI USB 4P MALE BLACK MISTUMT CONTACT PLATED:G/F	PCS	1
3	INTERNAL WIRES: UL1007 30AWG	PCS	5
2	PVC MOLDED COLDR: BLACK		
1	USB-B TYPE MALE WHITE PASTERN CONTACT PLATED: GOLD FLASH	PCS	1
NO.	DESCRIPTION	UNIT	QTY
A	ADP-MUSB-BMM	USB B TYPE MALE TO MINI USB 4 PIN MALE ADAPTER	
REV.	DESCRIPTION	DATE	

UNLESS OTHERWISE SPECIFIED TOLERANCE

ANG: 0, .0

SCALE: 1:1

DRAWN My.Chen

CHECKED

APPROVED

DATE



DUN CHENG TECH, CORP.
TEL:886-2-26739970 FAX:886-2-26739980

ADP-MUSB-BMM

ADP-MUSB-BMM

ADP-MUSB-BMM