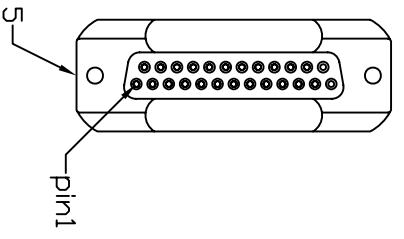
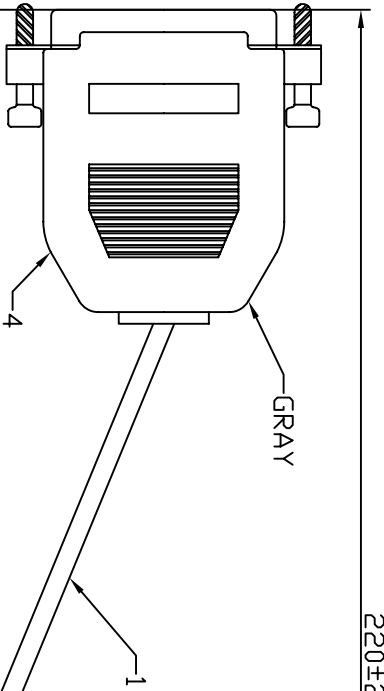
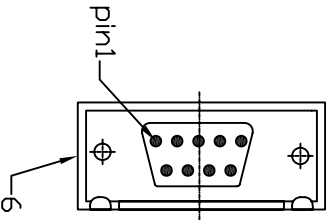


CONN-1:DB25F

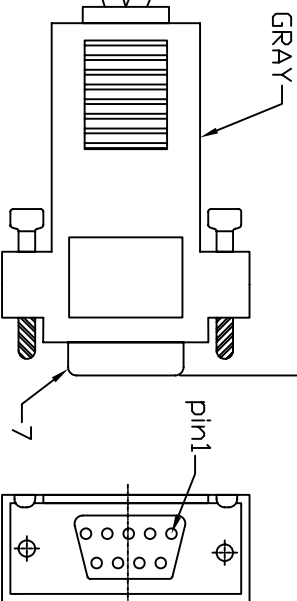
220±20



CONN-2:DB9M



CONN-3:DB9F



CONN-1      CONN-2      CONN-3

- 8 \_\_\_\_\_ 1 \_\_\_\_\_ 1
  - 3 \_\_\_\_\_ 2 \_\_\_\_\_ 2
  - 2 \_\_\_\_\_ 3 \_\_\_\_\_ 3
  - 20 \_\_\_\_\_ 4 \_\_\_\_\_ 4
  - 7 \_\_\_\_\_ 5 \_\_\_\_\_ 5
  - 8 \_\_\_\_\_ 6 \_\_\_\_\_ 6
  - 4 \_\_\_\_\_ 7 \_\_\_\_\_ 7
  - 5 \_\_\_\_\_ 8 \_\_\_\_\_ 8
  - 22 \_\_\_\_\_ 9 \_\_\_\_\_ 9
- SHELL \_\_\_\_\_ SHELL \_\_\_\_\_ SHELL

PE BAG

SEAL

8

3

130

GRAY

2

GRAY

1

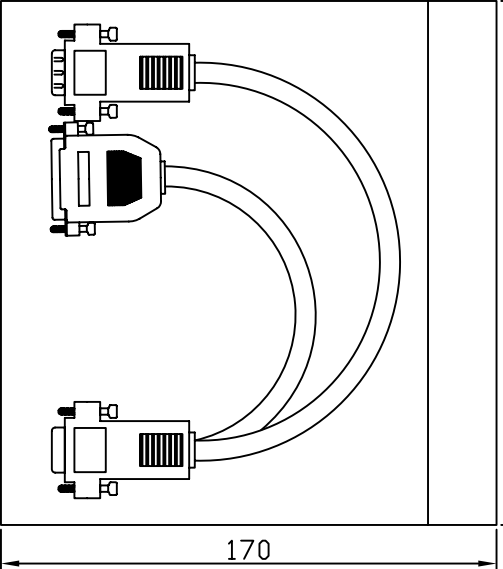
GRAY

4

GRAY

pin1

9	ASSEMBLY SHELL GRAY IN COLOR	PCS	1
8	SCREW	PCS	6
7	D-SUB 9PIN FEMALE SHELL PLATED:NICKEL G/F BLACK PRT INSULATION	PCS	1
6	D-SUB 9PIN MALE SHELL PLATED:NICKEL G/F BLACK PRT INSULATION	PCS	1
5	D-SUB 25PIN FEMALE SHELL PLATED:NICKEL G/F BLACK PRT INSULATION	PCS	1
4	ASSEMBLY SHELL GRAY IN COLOR	PCS	1
3	ASSEMBLY SHELL GRAY IN COLOR	PCS	1
2	UI-2464 28AWG/9C+AEB JACKET COLOR:BLACK	PCS	1
1	UI-2464 28AWG/9C+AEB JACKET COLOR:GRAY	PCS	1
NO.	DESCRIPTION	UNIT	QTY



170

REV.	A	DESCRIPTION	DATE	01/15/05
------	---	-------------	------	----------

DATE

APPROVED

SIZE A4

REV. A

FILE NAME:

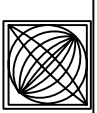
UNLESS OTHERWISE SPECIFIED TOLERANCE

ANG: 0, .00

SCALE: 1:1

DRAWN My.Chen

CHECKED



DUN CHENG TECH, CORP.  
TEL:886-2-26739970 FAX:886-2-26739980

DB25F-DB9MF-L