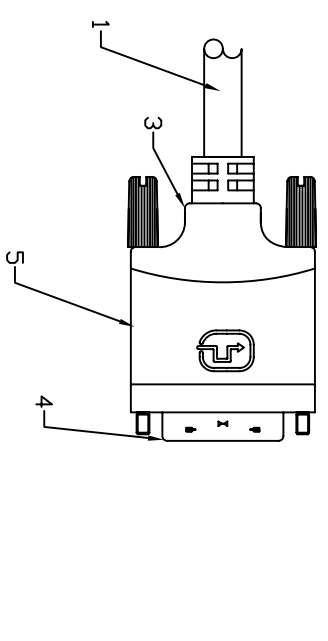
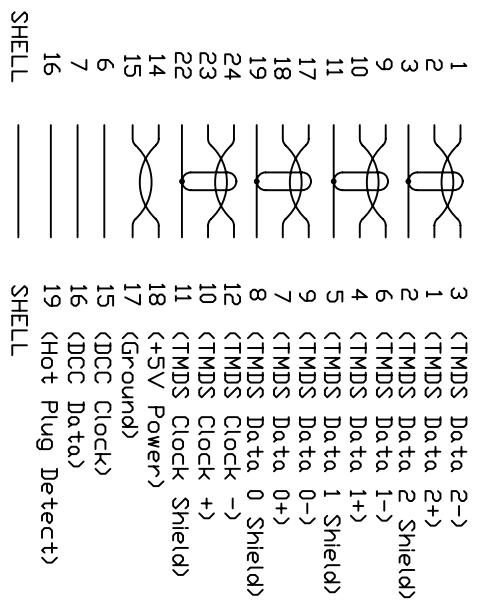


HDMI-DVI25-1.3-5	5000±50
HDMI-DVI25-1.3-1.8	1800±30
HDMI-DVI25-1.3-3	3000±50



ELECTRICAL TEST:

1. CURRENT RATING: DC 0.5A
2. WITHSTANDING VOLTAGE: DC 300VDC
3. INSULATION RESISTANCE: 50Mohm
4. CONDUCTIVE RESISTANCE: 2ohm

7	PVC MOLDED GREEN IN COLOR		
6	CORE:28.5*ø16.0*ø9.5		
5	PVC MOLDED RED IN COLOR		
4	DVI24+1 MALE SOLDER TYPE SHELL PLATED:GOLD		
3	PVC MOLDED BLACK IN COLOR		
2	HDMI A MALE SOLDER TYPE SHELL PLATED:GOLD	PCS	2
1	HDMI CABLE UL20276 28AWG/4P+28AWG/1P+28AWG/5C+AB JACKET BLACK DD:7.0mm	PC	1
No.	DESCRIPTION	UNIT	Q'TY
B	CABLE HDMI A-TYPE MALE TO DVI 24+1MALE		
REV.	DESCRIPTION	DATE	

UNLESS OTHERWISE SPECIFIED TOLERANCE
 ANG. E5
 0.0 ±0.5
 .00 ±0.2
 SCALE: NONE UNIT: mm
 DRAWN Xing Fa 07/10/3
 CHECKED eric 07/10/3

DUN CHENG TECH. CORP.
 TEL:886-2-26759970 FAX:886-2-26759960
 PRODUCT NO. DVI-HDMI-AL-XX-RED-G



APPROVED	DATE	SIZE	REV.	FILE NAME:
	07/10/3	A4	B	