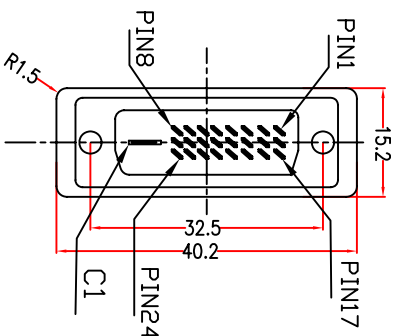
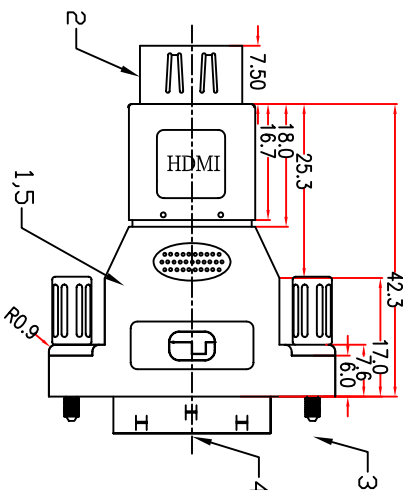
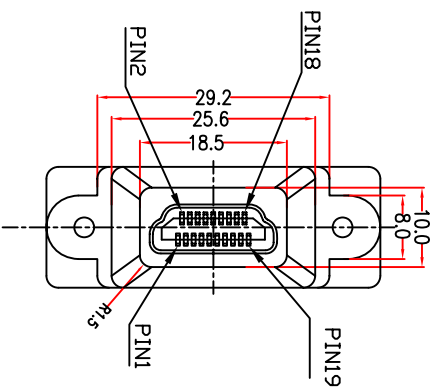


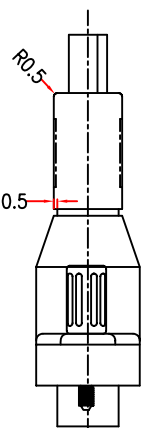
HDMI F - DVI M



ELECTRICAL TEST:

1. CUTTENT RATING: DC 0.5A
2. WITHSTANDING VOLTAGE: DC 300VDC
3. INSULATION RESISTANCE: 50Mohm
4. CONDUCTIVE RESISTANCE: 2ohm

HDMI 19P FEMALE

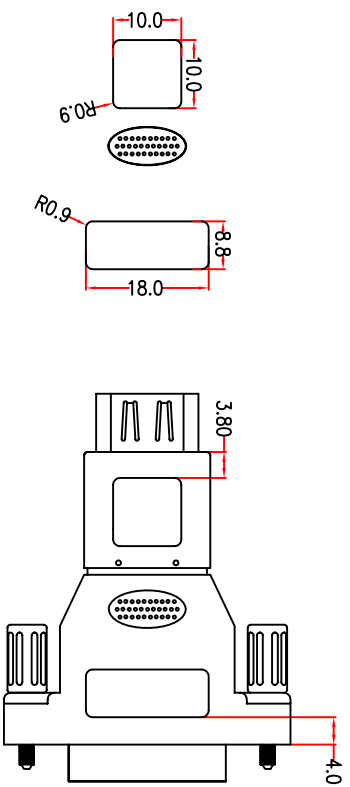


DVI 24+1 MALE

DVI24+1 M

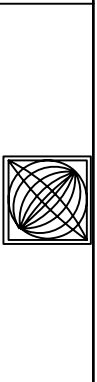
HDMI 19 F

1		3	<TMDS Data 2->
2		1	<TMDS Data 2+>
3		2	<TMDS Data 2 Shield>
9		6	<TMDS Data 1->
10		4	<TMDS Data 1+>
11		5	<TMDS Data 1 Shield>
17		9	<TMDS Data 0->
18		7	<TMDS Data 0+>
19		8	<TMDS Data 0 Shield>
23		10	<TMDS Clock +>
22		11	<TMDS Clock Shield>
14		18	<+5V Power>
15		17	<Ground>
6		15	<DCC Clock>
7		16	<DCC Data>
16		19	<Hot Plug Detect>
	SHELL		SHELL



5	OUTTER MOLD 55% PVC : COLOR IN BLACK	SET	1
4	DVI 24+1 MALE SOLDER COLOR:BLACK CONTACT PLATED:NICKEL	PCS	1
3	4#40 THUMB SCREW 5x12.58 COLOR IN BLACK	PCS	2
2	HDMI 19P FEMALE SOLDER TYPE CONTACT PLATED: NICKEL	PCS	1
1	UL1007 30AWG STRANDEDx7 5CM	PCS	20
No.	DESCRIPTION	UNIT	Q'TY
A	ADAPTER HDMI A-TYPE FEMALE TO DV124+1 MALE		
REV.	DESCRIPTION	DATE	

DATE	06/02/08
APPROVED	
CHECKED:	
SCALE:	NONE
UNLESS OTHERWISE SPECIFIED TOLERANCE	
ANG.	0°
F3	±0.5
F0.5	±0.3
F0.2	±0.2
DRAWN:	ERIC XU
DATE:	06/02/08
CHECKED:	
DATE:	
APPROVED:	
DATE:	
SIZE:	A4
REV.:	A
FILE NAME:	



DUN CHENG TECH. CORP.
TEL:886-2-26739970 FAX:886-2-26739980

DRAWN NAME: HDMI-F-DVI24+1M

PRODUCT NO.