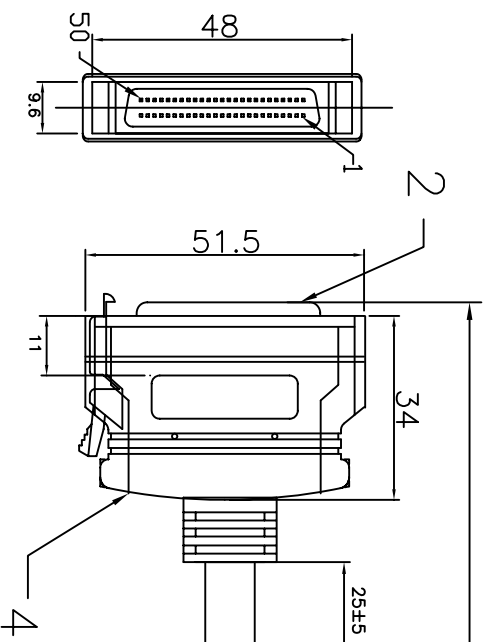


CONN B

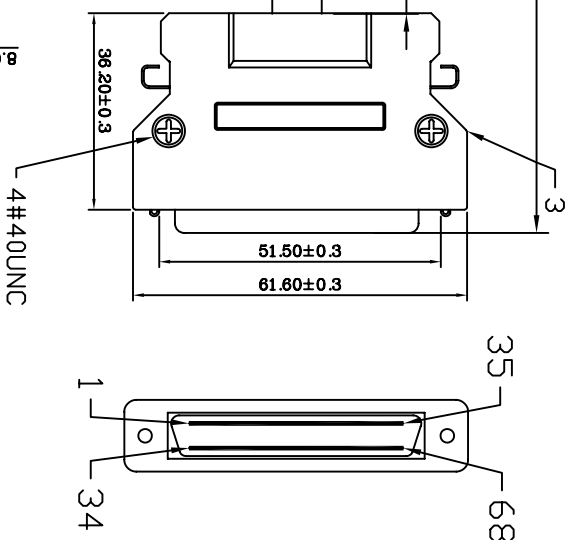


2000±30

CONN A

PIN ASSIGNMENT

CONN A	CONN B	CONN A	CONN B
6	1	20	15
40	26	54	40
7	2	21	16
41	27	55	41
17	NC	29	63
51	NC	24	49
18	NC	30	25
52	38	64	50
19	NC	SHELL	SHELL
53	NC	SHELL	SHELL



P2
MD68(M)

5	FERRITE CORE:Ø9.5*28.5*17.5	2
4	SSP PVC MOLD BEIGE COLDR	
3	MD68PMALE INSULATION BLACK COLDR SHELL PLATED NICKEL ASS'Y LATCH	1
2	HALF PITCH D-SUB 50P MALE MOLDED TYPE(BEIGE)	1
1	UL2919 28AW/G*1P+30AW/G*24P+AEB JACKET BEIGE COLDR	1
No:	DESCRIPTION	Q'ty
A		

DATE	06/07/22
APPROVED	CHECKED
SIZE	A4
REV.	A
FILE NAME:	MD68M-50M-L
PRODUCT NO.	
UNLESS OTHERWISE SPECIFIED TOLERANCE	ANG: 0°
	F3 ±0.5
	F0.5 ±0.3
	.00 ±0.2
SCALE: 1:1	UNIT: mm
DRAWN eric xu	06/07/22
<p>DUN CHENG TECH. CORP. TEL:886-2-26739970 FAX:886-2-26739980 DRAWN NAME: MD68M-50M-L</p>	