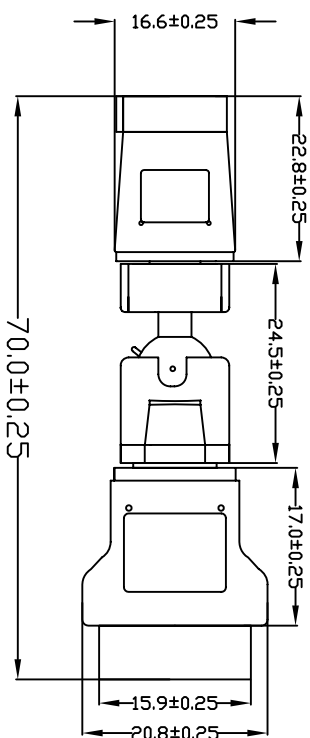
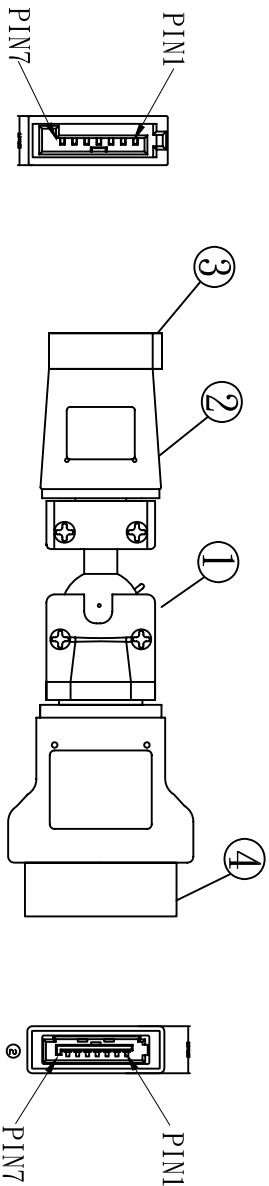


MINI ROT



PIN ASSEMBLY

7P

7P

1	_____	1
2	_____	2
3	_____	3
4	_____	4
5	_____	5
6	_____	6
7	_____	7

ELECTRICAL PROPERTIES:

1. 100% OPEN SHDRT MIS-WIRE TEST
2. Contact Resistance: 10ohm
3. Insulation Resistance: 5Mega ohm
4. Hi-Pot: 300V DC/10ms

NO.	DESCRIPTION	Q'TY	UNITS
4	CONNECTOR SERIAL ATA 7PIN PCB SIDE(FEMALE)	1	set
3	CONNECTOR SERIAL ATA 7PIN CABLE SIDE(MALE)	1	set
2	P.V.C MOLDING SSP COLOR: BLACK	1	
1	RETRACTABLE MADE OF ABS SHELL (RED WHITE)	1	Set
ND.	DESCRIPTION		
A			
REV.	DESCRIPTION	DATE	APPROVED

08/04/07	APPROVED	DATE	SIZE	REV.	FILE NAME:
			A4	A	MRO-ADP-SATA7P-PC
UNLESS OTHERWISE SPECIFIED TOLERANCE ANG. 0. F0.5 F0.3 F0.2 SCALE: NONE DRAWN SHIGANG CHECKED ERICXU UNIT: mm DATE: 08/04/07		DUN CHENG TECH. CORP., TEL:886-2-26739970 FAX:886-2-26739980 DRAWN NAME:			

