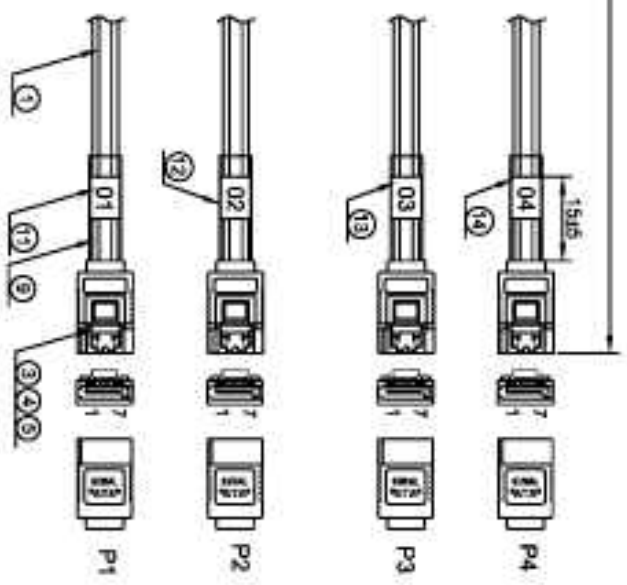
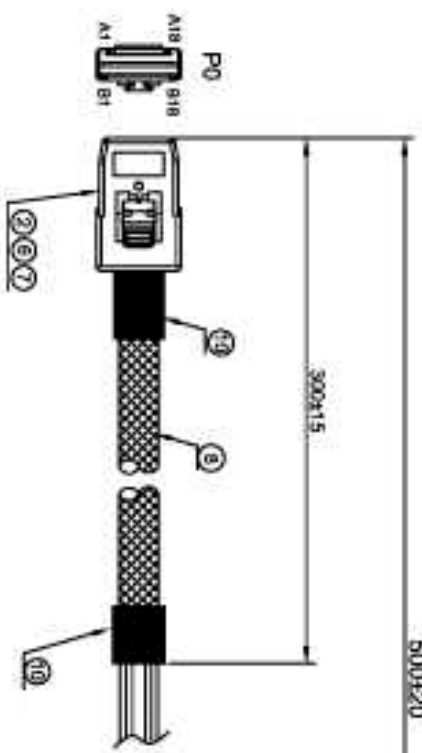
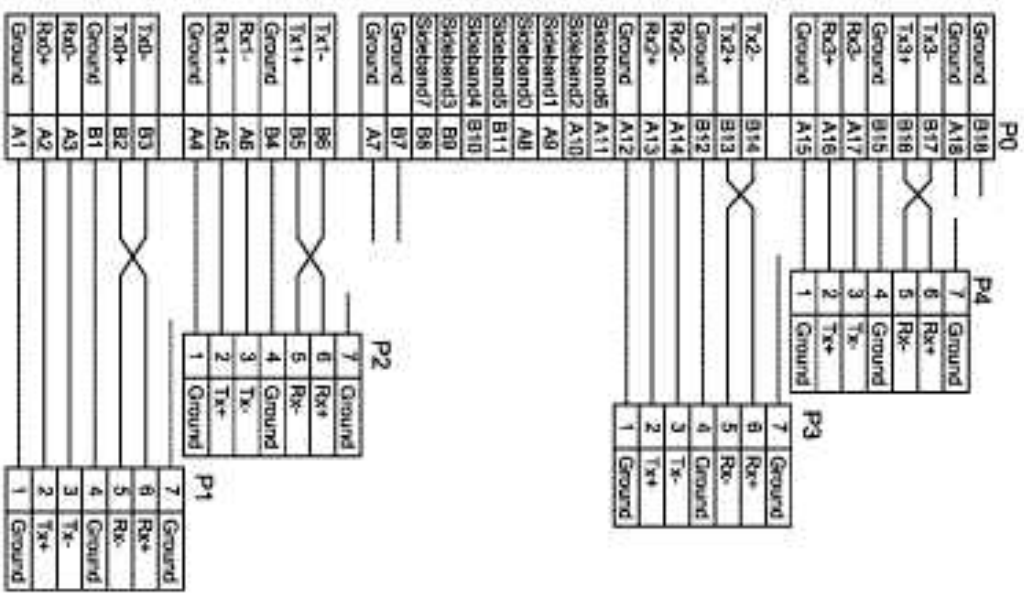


500420



PIN ASSIGNMENT



NO.	PART NO.	DESCRIPTION	QTY	UNIT
*	4-18-0005-463015	CARTON 48*30*15mm		PCS
*	4-14-0022-342861	PE BAG 34*25*0.08mm		PCS
*	4-14-0001-060861	PE BAG 6*9*0.08mm		PCS
*	4-19-0003-100001	TE BLACK	80	mm
*	4-20-0020-000001	RUBBER BAND	1	PCS
*	4-14-0019-708051	AIR BAG : 70*80mm	1	PCS
14	4-20-0052-100504	LABEL : 70* TRANSLUCENT BOTTOM BK WORD	1	PCS
13	4-20-0051-100803	LABEL : 70* TRANSLUCENT BOTTOM BK WORD	1	PCS
12	4-20-0050-100502	LABEL : 92* TRANSLUCENT BOTTOM BK WORD	1	PCS
11	4-20-0039-100501	LABEL : 91* TRANSLUCENT BOTTOM BK WORD	1	PCS
10	4-20-0062-002001	ACETATE TAPE BLACK W*20mm	50*2	mm
9	4-19-0039-100201	TUBE OD:5.0MM TRANSPARENT	20*4	mm
8	4-15-0028-001201	NYLON BRAID W-12.0mm BK	290	mm
7	4-12-0015-003651	LATCH MATERIAL: SUS #301	1	PCS
6	3-03-0002-006001	PP BK	4	G
5	3-02-0001-832151	PE	12	G
4	3-01-0001-005001	PVC 50P BK	12	G
3	2-61-A004-011501	SATA 7PIN LATCH G PIN 15U 180° PBT BK	4	PCS
2	2-70-0001-011501	MINI SAS 36P PCB	1	PCS
1	1-61-0013-200051	20*30H*20H AL NYLON+THERMOPLASTIC NYLON (BLUE) (#890)	479*6	mm

UNLESS OTHERWISE SPECIFIED TO ENFORCE

SCALE: NONE UNIT: MM

DESIGN: HUANGYU DATE: 08/05/02

CHECKED: ERIC DATE: 08/08/02

APPROVED: [Signature]

SIZE: A4 REV: A

FILE NAME:

UNLESS OTHERWISE SPECIFIED TO ENFORCE

DATE: 08/05/02

DESIGNER: HUANGYU

CHECKED: ERIC

APPROVED: [Signature]

SCALE: NONE

UNIT: MM

SIZE: A4

REV: A

FILE NAME:

PRODUCT NO. 7097056

MS36-4SATA1-050

DUN CHENG TECH. CORP.
TEL: 886-2-26739970 FAX: 886-2-26739980