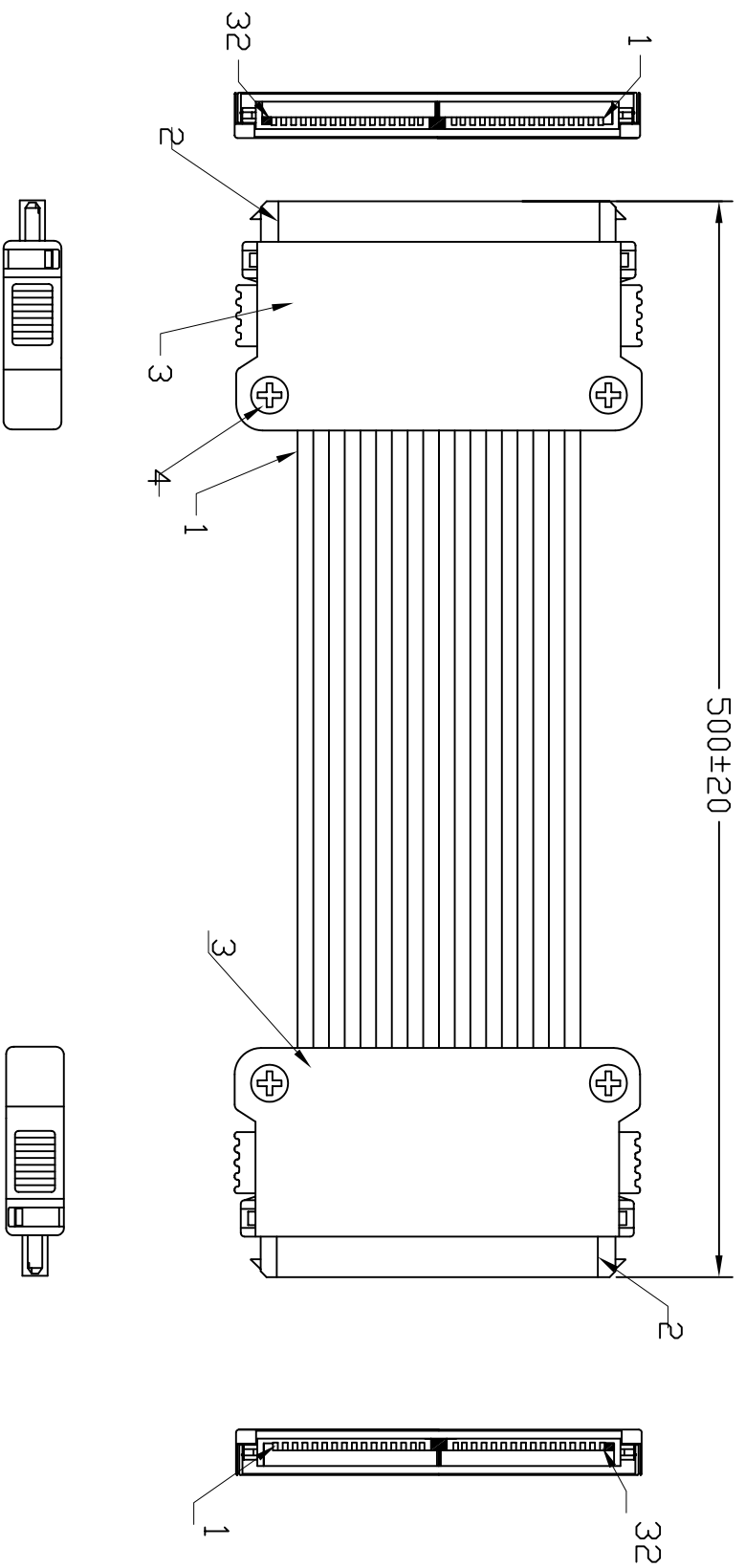


CONTROLLER
PIN OUT
PIN ASSEMBLY



32		1
31		2
30		3
29		4
28		5
27		6
26		7
25		8
24		9
23		10
22		11
21		12
20		13
19		14
18		15
17		16
16		17
15		18
14		19
13		20
12		21
11		22
10		23
9		24
8		25
7		26
6		27
5		28
4		29
3		30
2		31
1		32
KEY		KEY

4	M1.8*7 SCREW	4
3	ASSEMBLY ABS HOOD, COLOR: BLACK	2
2	SERIAL ATA 32PIN CONNECTOR COLOR: BLACK	2
1	UL 2651 PH1.27 GREY IN COLDR	1
ITEM	DESCRIPTION	Q'TY
A	CABLE SATA32/SATA32 L=50CM	
REV.	DESCRIPTION	DATE

UNLESS OTHERWISE SPECIFIED TOLERANCE

ANG: ±0.5
 0: ±0.3
 .00: ±0.2

SCALE: NONE UNIT: M/M

DRAWN: ERIC XU DATE: 06/06/14

CHECKED: / /

APPROVED: / /

SIZE: A4 REV: A

FILE NAME: SAS32x2-050-FL

PRODUCT NO.

DUN CHENG TECH. CORP.
 TEL:886-2-26739970 FAX:886-2-26739980