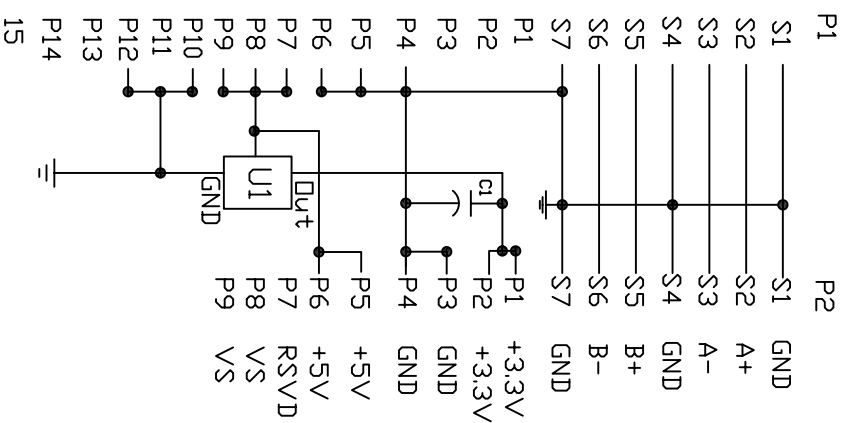


ELECTRONIC TEST:
 1.OPEN/SHORT/INTERMITTE:100%..
 2.INSULATION RESISTANCE:5MΩ.
 3.CONTACT RESISTANCE:10Ω.
 4.HI-POT:300V 10ms

PIN ASSEMBLY



3	PVC SSP MOLD COLOR: BLACK	PCS	1
2	MICRO SATA16P CABLE SIDE	PCS	1
1	SERIAL ATA 22PIN PCB SIDE	PCS	1
NO.	DESCRIPTION	UNCT	Q'TY

REV.	DESCRIPTION
A	

UNLESS OTHERWISE SPECIFIED TOLERANCE
 ANG: 0°
 F0.5
 F0.5
 F0.5
 .00 ±0.2

SCALE: 1:1 UNIT: mm

DRAWN: XIEBO DATE: 09/02/05

CHECKED: APPROVED

DUN CHENG TECH. CORP.
 TEL:886-2-26739970 FAX:886-2-26739980

PRODUCT NO. SATA22P-MCS16C

DATE	09/02/05
SIZE	A4
REV.	A
FILE NAME:	