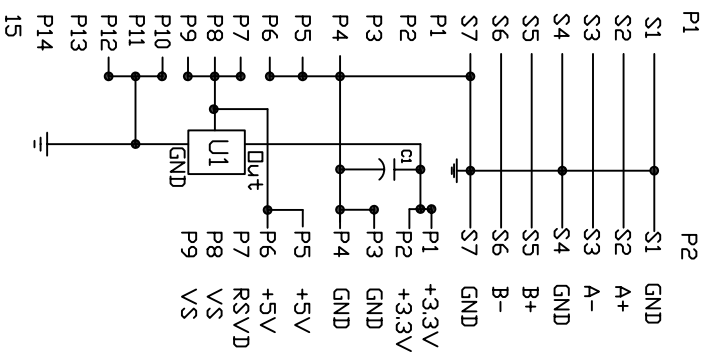


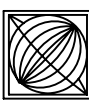
ELECTRONIC TEST:
 1.OPEN/SHORT/INTERMITTE:100%.
 2.INSULATION RESISTANCE:5MΩ.
 3.CONTACT RESISTANCE:10Ω.
 4.HI-POT:300V 10ms

PIN ASSEMBLY



3	PVC SSP MOLD COLOR: BLACK	PCS	1
2	SLINLIN ATA16P CABLE SIDE	PCS	1
1	SLINLIN ATA 22PIN CABLE SIDE	PCS	1
NO.	DESCRIPTION	UNCT	Q'TY

REV.	DESCRIPTION
A	

DATE	09/02/03	APPROVED	SIZE	A4	REV.	A	FILE NAME:	PRODUCT NO.
UNLESS OTHERWISE SPECIFIED TOLERANCE	ANG:	E5	SCALE:	1:1	UNIT:	MM	 <p>DUN CHENG TECH. CORP. TEL:886-2-26739970 FAX:886-2-26739980 DRAWN NAME: SATA22P-MICS16P</p>	
0.0	±0.5	±0.2	DRAWN	MM	DATE	09/02/03		
±0.00	±0.5	±0.2	CHECKED					