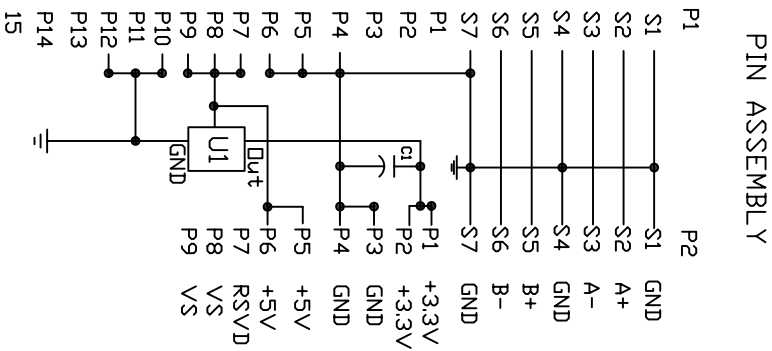


ELECTRONIC TEST:

- 1.OPEN/SHORT/INTERMITTE:100%.
- 2.INSULATION RESISTANCE:5MΩ.
- 3.CONTACT RESISTANCE:10Ω.
- 4.HI-POT:300V 10ms


3	PVC SSP MOLD COLOR: BLACK	PCS	1
2	SLIMLINE SATA 7+6PIN PCB SIDE	PCS	1
1	SATA 22PIN PCB SIDE	PCS	1
ND.	DESCRIPTION	UNCT	Q'TY



REV.	A	DESCRIPTION	
------	---	-------------	--

DATE: 09/02/05

UNLESS OTHERWISE SPECIFIED TOLERANCE	ANG:	E5
		F0.5
		F0.3
		F0.2
SCALE:	1:1	UNIT: mm
DRAWN:	XIEBO	09/02/05
CHECKED:	ERIC	09/02/05
APPROVED:		


DUN CHENG TECH. CORP.
 TEL:886-2-26739970 FAX:886-2-26739980
 DRAWN NAME: STARTECH-SATA22P-SLIMS13P
 PRODUCT NO.: