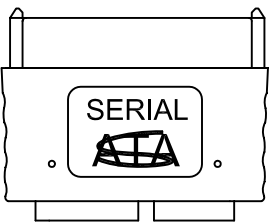
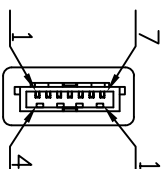
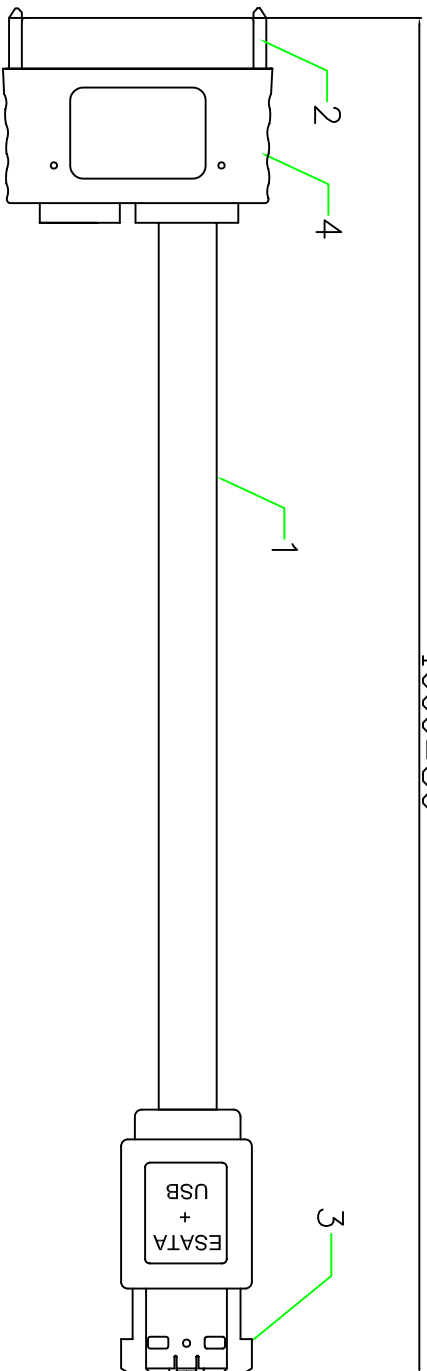
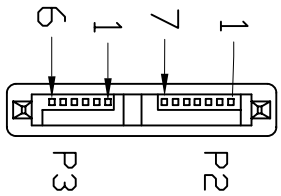
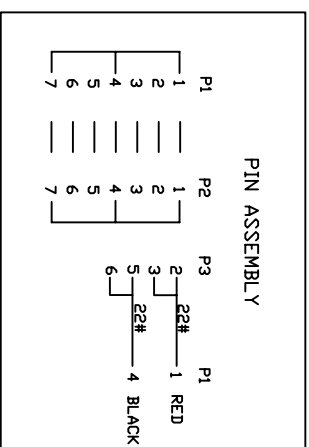


1000±30



ELECTRONIC TEST:
 1.OPEN/SHORT/INTERMITTE:100%.
 2.INSULATION RESISTANCE:5MΩ.
 3.CONTACT RESISTANCE:10Ω.
 4.HI-POT:300V DTAGE.



4	PVC MOLD COLOR: BLACK		
3	ESATA+USB CONN SHELL PLATED NICKEL	PCCS	1
2	SLIMLINE SATA 7+6PIN CABLE SIDE	PCCS	1
1	NONUL 30AWG/2PR+24AWG/2C+AB DD:5.8MM JACKET BLACK IN COLOR	PCCS	1
ND.	DESCRIPTION	UNCT	Q'TTY

REV.	DESCRIPTION	DATE	SIZE	REV.	FILE NAME:
A		09/05/27	A4	A	SLIM13C-EUC-100

UNLESS OTHERWISE SPECIFIED TOLERANCE		DRAWN NAME:	
ANG:	±0.5	DUN CHENG TECH. CORP.	
±0.0	±0.3	TEL:886-2-26739970 FAX:886-2-26739980	
±0.2	±0.2	DRAWN: Xing Fo	
SCALE: 1:1	UNIT: mm	CHECKED: ERIC	
APPROVED	DATE: 09/05/27	DATE: 09/05/27	

