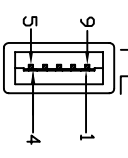
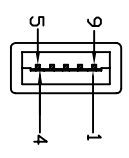
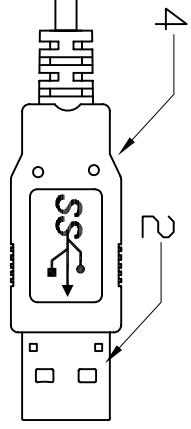
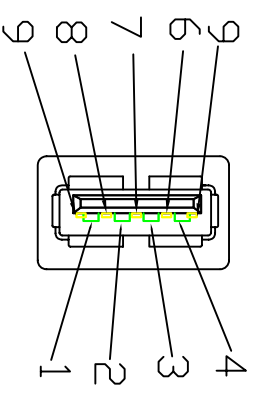
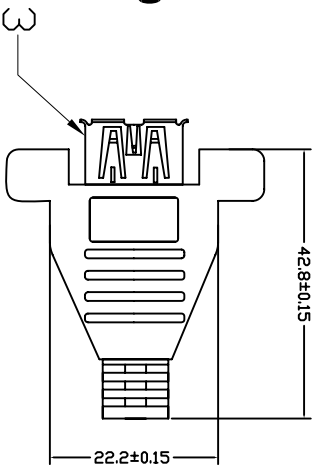
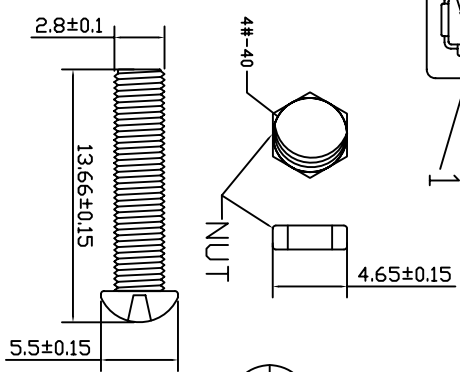
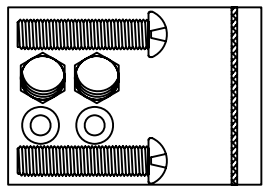


USB3.0 AF



ELECTRICAL TEST:
 100% OPEN SHORT MIS-WIRE TEST
 CONTACT RESISTANCE: 50HM
 INSULATION RESISTANCE: 5MEGA OHM
 HIPDT TEST:DC300V/10MS



- USB3.0 AM USB3.0 AF COLOR
- | | | | | |
|---|---|---|---|--------|
| 1 | — | 1 | — | RED |
| 2 | — | 2 | — | WHITE |
| 3 | — | 3 | — | GREEN |
| 4 | — | 4 | — | BLACK |
| 5 | — | 5 | — | YELLOW |
| 6 | — | 6 | — | BLUE |
| 7 | — | 7 | — | DRAIN |
| 8 | — | 8 | — | DRANGE |
| 9 | — | 9 | — | PURPLE |
- SHELL — SHELL — BRAID

4	SSP PVC MOLD BLUE IN COLOR	1	PCS	UNLESS OTHERWISE SPECIFIED TOLERANCE ANG: 0.0 E±0.5 F±0.5 G±0.2	DUN CHENG TECH. CORP. TEL:886-2-26739970 FAX:886-2-26739980
3	USB3.0 A TYPE FEMALE SHELL PLATEDNICKEL CONTACT:G/F	2	PCS		
2	USB3.0 A TYPE MALE SHELL PLATEDNICKEL CONTACT:G/F	2	PCS		
1	UL2027/6 (1P*28#+D+AL+Myalr)*2C+1P*28#+2C*28#+AL+B DD:5.5±0.15mm BLUE IN COLOR	2	PCS		
NO. DESCRIPTION		Q'TY	UNIT	PRODUCT NO. 3.0AF-AM-L	
REV. DESCRIPTION		DATE	09/10/22	APPROVED	FILE NAME: 3.0AF-AM-L